

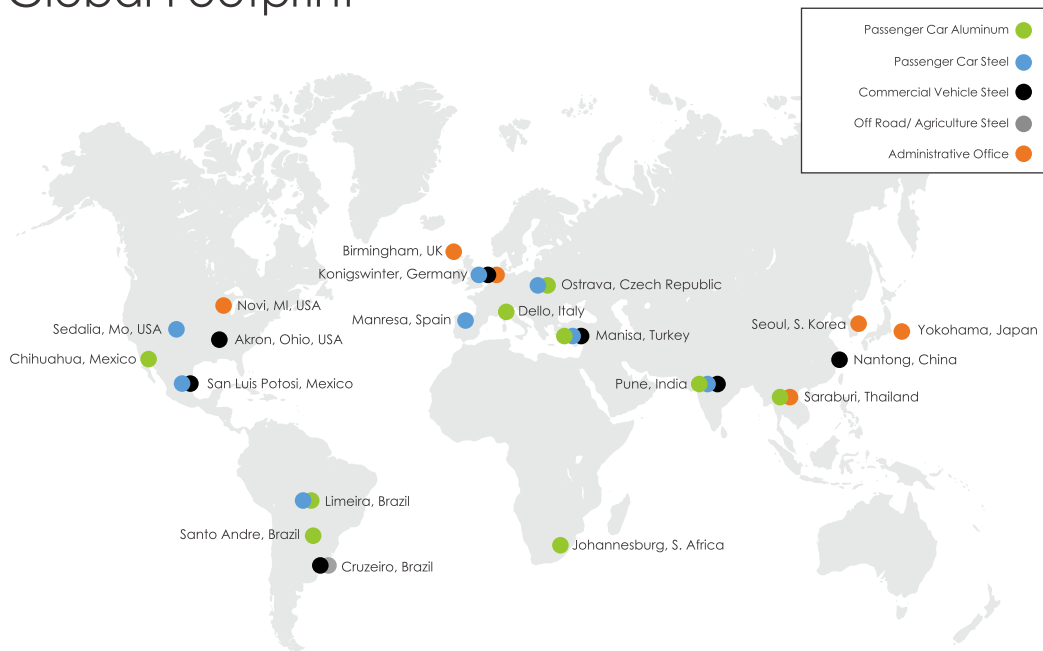
# Wheel Technologies A Global Market

Heavy Duty Wheels for Specialty Applications



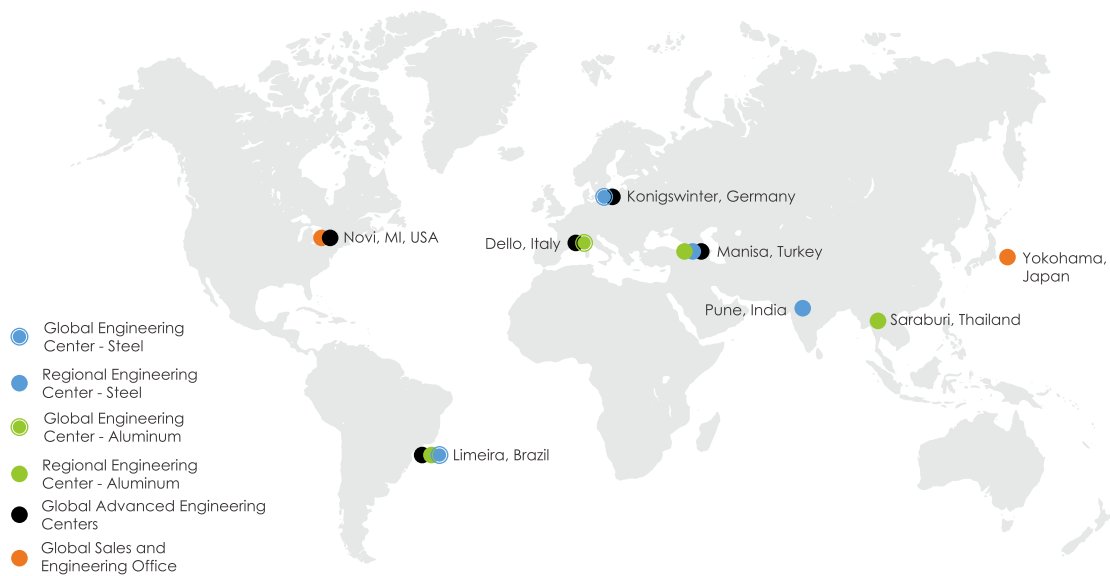
**MAXION**  
**WHEELS MATTER**

# Global Footprint



Strategically Positioned to serve the Growing Global Transportation Market

# Global Engineering Footprint



Local Application Engineering Connected to a Global R & D Network with Central Coordination



## Kalyani Maxion Wheels

---

Kalyani Maxion Wheels a member of the Maxion Wheels group is one of India's most reputed wheel manufacturing companies for commercial vehicles and passenger cars.

We are backed by the strength and security of our parent company "MAXION Wheels" the world's largest wheel manufacturing group, which ensures that our customers can count on us for the long term growth and infrastructure and stability they need.

We continually strive to achieve new heights in innovation, service and quality.

Kalyani Maxion Wheels is the leading supplier to international OE's such as Daimler, VOLVO, SCANIA, ISUZU, VW, FORD, Honda etc. in Europe Apart from Europe we also exports wheels to different countries such as Malaysia, Thailand, Korea, Vietnam, Indonesia, Egypt & Dubai.

Whereas in the domestic market, OE's like TATA Motors, Daimler India, Volvo, Mahindra Trucks & Buses, Eicher (VECV), SML Isuzu, Escorts, Vehicle Factory Jabalpur (Indian Military), M & M, FIAT, VW, Honda, FORD etc., are our esteemed customers.

Since 1995, in Kalyani Maxion Wheels has reached a 50% market share with Indian OE's In short; we have very strong global relationships with renowned brand names in the international & domestic markets with the manufacturing capacity of 4 million of car & 1.2 million of commercial wheels per year.





# Heavy Duty Wheels for **Specialty Applications**

Kalyani Maxion Wheels are also engaged in design, manufacturing and selling of heavy duty wheels for special applications like Military, Mining, OTR (Off-the-Road) etc.

These wheels are different than standard wheels for commercial vehicle applications and pass car applications. We use specially rolled high strength

material, Finite-Element Analysis and robust design Validation processes to ensure a stronger and more optimized wheel. Third party testing & homologation processes are also used to meet our customer's requirements.

## 1 Run Flat System

- Run-flat is beneficial to ensure that the tire remains on the wheel in case of tire puncture and thus resists the effects of deflation
- The wheels are compatible for mounting Run-Flat System on the wheel
- Our wheels are designed for Run Flat Systems and enabling a turnkey solution for the customer
- Multi piece military wheels offer a lightweight, easy to fit solution for military vehicles



## 2 Central Tire Inflation System (CTIS)

- A central tire inflation system (CTIS) is a system to provide control over the air pressure in each tire of a vehicle as a way to improve performance on different surfaces. Another function of the CTIS is to maintain pressure in the tires if there is a slow leak or puncture
- CTIS is used to inflate or deflate the tire from the dashboard. So, the tire pressure can be regulated without dis-embarking from vehicle or without help of external air filling apparatus etc
- The wheels are suitably designed and manufactured so that the Central Tire Inflation System (CTIS) can be mounted on the wheel



## 3 Tire Pressure Monitoring System (TPMS)

- TPMS helps in the monitoring tire pressure continuously while the vehicle is running.
- The rim profile is made suitable to mount TPMS on the rim portion of the wheel.
- Useful especially for tubeless wheels



# MAXION WHEELS MATTER



## 4 Colour of the wheels

- ✔ The wheels are primed with Electro-Deposited Black paint. A further top coat can be provided for any colour as per customer requirement
- ✔ Olive Green, Wuestensand, Silver and Black are mostly common



Olive Green



Wuestensand



Silver



Black

## 5 Strength of the wheel

- ✔ The wheels are strong enough to take the heavy application load. They are designed, tested and validated in laboratories to take up all adverse field conditions
- ✔ There are more than million of these type wheels in application today



## 6 Special Certification

- ✔ The wheels for military application, many times, require special certification either from Govt. Lab or authorised Certifying agencies.
- ✔ We can provide such test certificate as per the customer requirement.



## Heavy Duty Wheels for Specialty Applications



# 10.00V-20"

### Features

- Flat Base Wheel with High Strength Material
- Designed to take high wheel load
- Suitable to mount Run-flat System
- Available in Tube-type tire and Tube-less tire version

Tire Size	Wheel Type	Center Bore Dia	Pitch Circle Dia	No. of Holes	Type of Stud Hole Designation	Offset	Half Dual Spacing	Weight in kg	Used For	Wheel Load In Kg	KMWPL Wheel Part No.	Maxion Reference No.
14.00 R 20	BZ	281	335	10	B22 ES 36	184	197	61.5	Export	4250	2700558	2433640 000 00
14/80 R 20	MZ	161	205	6	M18	82	94	67	Export	2750	2700560	2700164 000 00
335/80 R 20	MZ	281	335	10	M22	161	175	61	Export	4750	2700561	2700534 000 00
365/80 R 20	MZ	281	335	10	M22	201	214	65.5	Export	4500	2700562	2709009 000 00
365/85 R 20	(MZ)	281	335	10	M22 ES 36	0	---	59	Export	4500	2700563	2700244 000 00
395/85 R 20	MZ	221	275	8	M20	90	102	66	Export	4600	2700602	-----
	MZ	221	275	8	M20	108	121	66	Export	4600	2700603	-----
	BZ	281	335	10	B22 DS 36	120	132	60.2	Export	4600	2700659	-----
	BZ	281	335	10	B22 DS 36	121.5	133.5	60.2	Export	4600	2700660	-----

### Applications







# 10.00W-20"

## Features

- Flat Base Wheel with High Strength Material
- Designed to take very high wheel load
- Suitable to mount Run-flat System
- Available in Tube-type tire and Tube-less tire version

Tire Size	Wheel Type	Center Bore Dia	Pitch Circle Dia	No. of Holes	Type of Stud Hole Designation	Offset	Half Dual Spacing	Weight in kg	Used For	Wheel Load In Kg	KMWPL Wheel Part No.	Maxion Reference No.
14.75/80 R 20	MZ	281	335	10	M22	203	216	66.5	Export	5000	2700564	2700306 000 01
15.5/80 R 20	(MZ)	281	335	10	M22 ES 36	113	125	68.5	Export	5000	2700566	2700406 000 00
14.00 R 20	(MZ)	281	335	10	M22 ES 36	113	125	68.5	Export	5600	2700565	2700405 000 01
365/85 R 20	(MZ)	221.45	285.8	10	M19 DS 44.4	102.7	115.7	71.5	Export	5000	2700597	-----
385/95 R 20	BZ	281	335	10	B22 ES 36	120	134	65.9	Export	5000	2700567	2700542 000 05
395/85 R 20	MZ	281	335	10	M22	113	125.5	68.5	Export	5600	2700607	-----
	(MZ)	281	335	10	M22 ES 36	140	155	66	Export	5000	2700611	-----
	MZ	281	335	10	M22	0	13	69.9	Export	5000	2700612	-----
	MZ	281	335	10	M22	120	134	67	Export	5600	2700669	-----
	MZ	281	335	10	M22	120	134	66.89	Export	5600	2700670	-----
	MZ	281	335	10	M22	120	132.5	69.7	Export	5000	2700678	-----
	MZ	281	335	10	M22	138	153	65.8	Export	5000	2700619	-----
	MZ	281	335	10	M22	95	107	--	Export	5000	2700628	-----
	MZ	281	335	10	M22	95	107	--	Export	5000	2700629	-----
	MZ	281	335	10	M22	151	165	66.34	Domestic	5000	2700679	-----
	MZ	281	335	10	M22	112	125	68.25	Domestic	4750	2700685	-----
	MZ	221	335	8	M20	118	131	73	Export	4500	2700716	-----
	MZ	281	335	10	M22	120	134	67	Export	5600	2700720	-----
	MZ	281	335	10	M22	0	--	69.9	Export	5000	2700734	-----

## Applications



## Heavy Duty Wheels for Specialty Applications



# 11.00-20" SDC

### Features

- Semi Drop Centre Wheel with High Strength Material
- Designed to mount wider tires
- Suitable to mount Run-flat System
- Available in Tube-less tire version

Tire Size	Wheel Type	Center Bore Dia	Pitch Circle Dia	No. of Holes	Type of Stud Hole Designation	Offset	Half Dual Spacing	Weight in kg	Used For	Wheel Load In Kg	KMWPL Wheel Part No.	Maxion Reference No.
12.5 - 20 MPT	MZ	221	275	8	M20	100	112	52	Export	3600	2700529	2700529 000 00
14.5 - 20 MPT	MZ	281	335	10	M22	165	179	50	Export	3600	2700587	2700521 000 00
335/80 R 20 MPT	(MZ)	164.4	222.25	6	M19 DC 60	106.6	118.6	57	Export	2500	2700596	-----
365/80 R 20 MPT	MZ	221	275	8	M20	92	--	58	Export	3500	2700637	2700529 000 05
375/70 R 20 MPT	MZ	281	335	10	M22	110	122	57.66	Export	3500	2700664	2700620 000 05
375/75 R 20 MPT	MZ	221	275	8	M20	119	131	58	Export	3500	2700668	2700529
425/75 R 20 MPT	BZ	221	335	10	B22 ES 36	130	142	58.5	Export	2300	2700672	-----
	(MZ)	281	335	10	M22 ES 36	184	197	57	Export	3500	2700693	2983151 000 010

### Applications







## 8.0-20", 8.5-20" 9.0-20"

### Features

- Tapered Bead Seat Wheel with High Strength Material,
- Designed to take high load
- Available in Tube-type Tire version only

Tire Size	Wheel Type	Center Bore Dia	Pitch Circle Dia	No. of Holes	Type of Stud Hole Designation	Offset	Half Dual Spacing	Weight in kg	Used For	Wheel Load In Kg	KMWPL Wheel Part No.	Maxion Reference No.
<b>8.0-20"</b>												
10.00 R 20	MZ	219	275	8	M20	114.5	127	49.5	Domestic	4000	2700553	-----
11.00 R 20	BZ	221	275	8	B22 ES 36	225	239	57	Export	3500	2700577	2700 180 000 01
11.00 - 20 EM	MZ	281	335	10	M22	162	174	48	Export	3250	2700578	2700 427 000 05
12.00 - 20	BZ	281	335	10	B22 DS 36	162	174	48	Export	3500	2700579	-----
290/95 R 20	MZ	221	275	8	M20	153	165	49	Export	3250	2700580	2700499 000 00
300/95 R 20	MZ	281	335	10	M22	157	143	66	Export	3350	2700581	2700541 000 01
330/95 R 20	MZ	281	335	10	M22	173	187	55	Export	5200	2700591	2700075 000 05
<b>8.5-20"</b>												
11.00 R 20	BZ	281	335	10	B22 DS 36	160	172	51.5	Export	3750	2700582	2700378 000 05
12.00 R 20	MZ	281	335	10	M 22	163	175	54.5	Export	3750	2700583	2700382 000 01
12/80 R 20	(MZ)	281	335	10	M22 DS 36	163	175	53	Export	3750	2700585	2700882 000 05
12.00 - 20EM	(MZ)	281	335	10	M22 DS 36	163	175	53	Export	3750	2700618	2700882 000 05
335/80 R 20	MZ	281	335	10	M22	163	175	53	Domestic	3750	2700644	-----
	MZ	281	335	10	M 22	161	175	54.5	Export	4500	2700656	2700382 000 01
<b>9.0-20"</b>												
13.00 R 20	MZ	281	335 10		M 22	97.5	110.0	53.50	Domestic	4400	2700718	
355/90R10												

### Applications



## Heavy Duty Wheels for Specialty Applications



### 8.5-24"

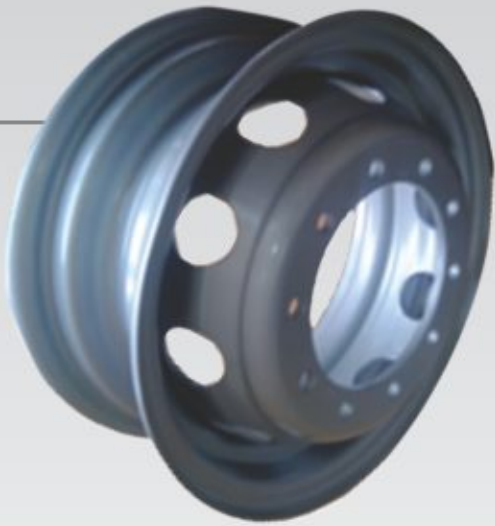
#### Features

- Tapered Bead Seat Wheel with High Strength Material
- Designed to take high load
- Higher ground clearance for rough mining roads
- Available in Tube-type tire version only

Tire Size	Wheel Type	Center Bore Dia	Pitch Circle Dia	No. of Holes	Type of Stud Hole Designation	Offset	Half Dual Spacing	Weight in kg	Used For	Wheel Load In Kg	KMWPL Wheel Part No.	Maxion Reference No.
12.00 R 24	BZ	281	335	10	B22 DS 36	167	180	75.4	Export	4500	2740181 / 189	2740144 000 05
	MZ	281	335	10	M 22	167	180	75.4	Export	4500	2740182 / 196	2740177 000 01
	MZ	281	335	10	M22	166	180	74.5	Export	4500	2740183	2740145 000 05
	MZ	281	335	10	M 22	165	178	75.4	Export	4500	2740184 / 187	2740146 000 05
	BZ	281	335	10	B22 DS 36	165.5	180	78.5	Export	4500	2740185 / 188	2740179
	MZ	281	335	10	M 22	265.5	180	78	Export	4500	2740190	-----
	BZ	281	335	10	B22 DS 36	167	180	76.5	Export	4500	2740191	-----
	MZ	281	335	10	M22	170	183	75.4	Domestic	4250	2740194	-----
	MZ	281	335	10	M22	165	178	75.4	D/E	4500	2740195	
	MZ	281	335	10	M22	170	183	77	Domestic	4250	2740197 DLR	
	MZ	281	335	10	M22	167	180	77	Domestic	4750	2740198 DLR	
	MZ	281	335	10	M22	158.5	145	71.5	Export	4500	2740199	
	MZ	281	335	10	M22	167	180	75.4	Export	4500	2740200	
	MZ	281	335	10	M22	165.5	180	74.5	Export	4500	2740201	
	MZ	281	335	10	M22	165.5	180	77.8	Export	4500	2740202 DLR	
	MZ	281	335	10	M22	159	174	75.3	Export	4500	2740203	

#### Applications





## 8.5x24"

### Features

- 5 Deg. Drop Centre Wheel - without side rings
- High Strength Material
- Higher ground clearance for rough mining roads
- Improved tire performance
- Designed to take very high load
- Exclusively used with Tube-less tires

Tire Size	Wheel Type	Center Bore Dia	Pitch Circle Dia	No. of Holes	Type of Stud Hole Designation	Offset	Half Dual Spacing	Weight in kg	Used For	Wheel Load In Kg	KMWPL Wheel Part No.	Maxion Reference No.
325/ 95R24	MZ	281	335	10	M 22	165.5	180.0	63.00	Export	5000	2240202	-----
	MZ	281	335	10	M 22	161.5	175.0	63.00	Export	5000	2240203	-----
	MZ	281	335	10	M 22	165.5	180.0	63.00	Export	5000	2240204	-----

### Applications





## Some of our valued customers...

- TATA
- DAIMLER
- VEHICLE FACTORY,  
JABALPUR
- VOLVO
- ASHOK LEYLAND
- IVECO
- NIMR
- PIRELLI
- BHARAT BENZ
- SCANIA
- ESCORTS  
CONSTRUCTION  
EQUIPMENT
- MAN
- HYUNDAI
- BEML
- TATRA
- RMA GROUP
- ARCOM INTERNATIONAL  
PVT. LTD.
- RUNFLAT

And More...



### KALYANI MAXION WHEELS PVT. LTD.

Gat No.: 635, Kuruli Village, Chakan, Tal- Khed, Dist. Pune- 410 501 (India)

Ph.: 02135 305 100/ 209/ 253, Fax: +91 2135 30 5101.

Email: [shrirang.damle@maxionwheels.com](mailto:shrirang.damle@maxionwheels.com), [santoshkumar.badge@maxionwheels.com](mailto:santoshkumar.badge@maxionwheels.com)

[Kaushik.Doshi@maxionwheels.com](mailto:Kaushik.Doshi@maxionwheels.com) | [www.maxionwheels.com](http://www.maxionwheels.com)

